



EnerRocket™
CONTINUOUSLY SAFEGUARDING

ES 55-12

SMF VRLA RECHARGEABLE BATTERY

**LONG
LIFE
SERIES**

APPLICATIONS

- UPS Systems
- Telecommunication Systems
- Fire Alarm Safety & Security Systems
- Medical Equipment

COMPLIANCE STANDARDS

- IEC 60896 PART 21 & 22
- BS6290-4

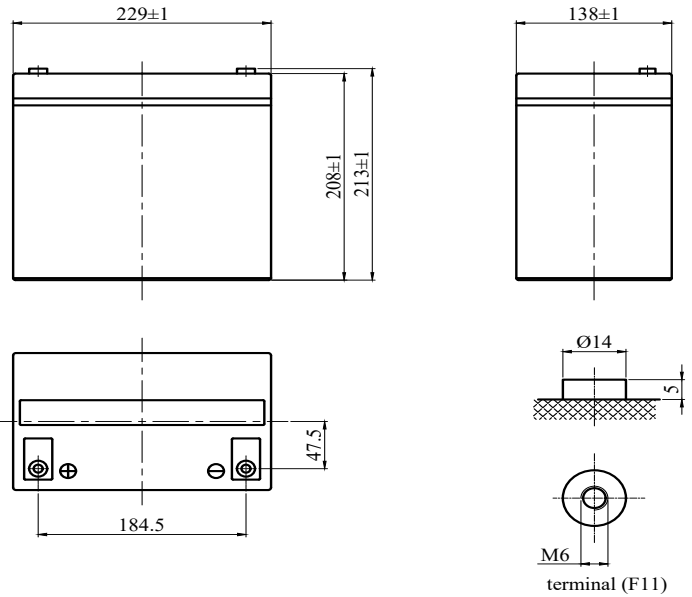
TECHNICAL FEATURES



- Non-Spillable Sealed Construction
- Seal Lead Acid Battery
- Absorbent Glass Mat System (AGM System)
- ABS (Acrylonitrile Butadiene Styrene) construction (FR optional)
- Gas Recombination
- Venting System for low internal pressure
- Low Self-Discharge
- Heavy-Duty, Highly Optimized Grids
- High Power Output
- Wide Operating Temperature
- Maintenance-Free Operation

CHARACTERISTICS

Nominal Voltage	12 V	
Design Life	10 Years	
Capacity 27°C (80.6°F)	10 Hour rate	55.0Ah
	5 Hour rate	46.2Ah
	1 Hour rate	35.1Ah
Internal Resistance (25°C, 100% Charge)	<7.2mΩ	
Self Discharge (20°C)	1 Month	Remaining Capacity 97%
Operating Temperature	Discharge	-20°C - 60°C
	Charge	-10°C - 60°C
	Storage	-20°C - 60°C
Normal Operating Temperature	25°C ± 3°C	
Maximum Discharge current	550A (5sec)	
Maximum Charging current	16.5A	
Short Circuit Current	1400A	
Charge Methods Constant Voltage Charge 77°F (25°C) - Cycle use	14.4 to 14.7V	
	Temp. Compensation -30mV/°C	
Charge methods Constant Voltage Charge 77°F (25°C) - Standby Use	13.4 to 13.8V	
	Temp. Compensation -20mV/°C	



SPECIFICATIONS

Length	Width	Height	Total Height	Weight (kg)
229 mm	138 mm	208 mm	213 mm	18.0 ± 5%

CONSTANT CURRENT DISCHARGE (Amperes) AT 25°C

End Voltage Volts/Cell	5min	10min	15min	30min	1h	3h	5h	10h	24h
1.60	175	129	99.4	59.2	35.10	14.6	9.82	5.65	2.45
1.65	165	124	95.4	57.4	34.20	14.2	9.57	5.62	2.43
1.70	155	115	90.6	55.6	33.30	13.9	9.40	5.58	2.41
1.75	145	106	85.8	53.8	32.50	13.6	9.23	5.54	2.40
1.80	134	99.8	79.5	51.9	31.70	13.3	9.06	5.50	2.38

CONSTANT POWER DISCHARGE (Watts) AT 25°C

End Voltage Volts/Cell	5min	10min	15min	30min	1h	3h	5h	10h	24h
1.60	318	229	182	111	68.90	29.1	18.8	10.9	5.06
1.65	300	225	177	109	67.30	28.5	18.6	10.8	4.95
1.70	381	213	169	107	65.80	27.9	18.2	10.6	4.85
1.75	261	200	162	105	64.30	27.3	18.0	10.4	4.76
1.80	248	186	154	104	64.00	26.7	17.9	10.2	4.66



ES 55-12

SMF VRLA RECHARGEABLE BATTERY

**LONG
LIFE
SERIES**

